

Third Angle Projection
Remove All Sharp Edges
Do Not Scale
If In Doubt - Ask

Technical Information

Built in Compliance with BS 6440:1999
Safe working load = 300Kg
Maximum threshold height = 1000mm
Lift speed = 20mm/sec
Ramp gradient = 1:6
Power supply = 230Vac 50Hz single phase & earth
Lift operating voltage = 24Vdc
Battery Powered raise and lowering
Manual emergency lowering
Hydraulic drive
Total lift unladen weight = 200Kg
Suitable for internal and external use

A turning circle of diameter 1500mm is recommended at the entrance and exit points of the lift.

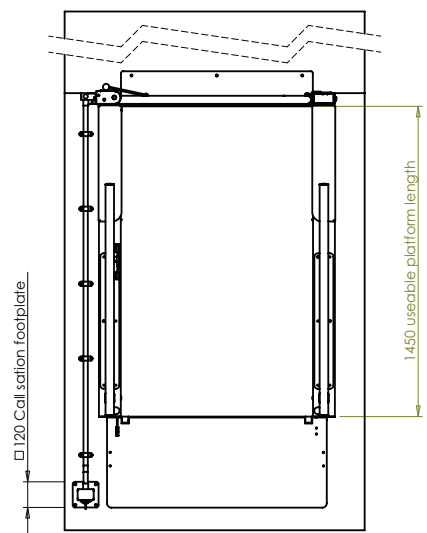
A minimum of 2m is required above the first floor level.

	LR800	LR900	LR1100
Useable Platform Width Dimension 'Y'	800	900	1100
Useable Platform Length	1450	1450	1450
Lift External Width Dimension 'W'	1004	1104	1304
Recommended Minimum Width Dimension 'X'	1304	1404	1604
Gate Frame Width Dimension 'Z'	1015	1115	1315
Gate Open Dimension 'V'	844	944	1144

UPPER LEVEL GATE OPTION DETAILS

Must have minimum of 250mm threshold height when fitting a gate.

The gate post will house the upper level call controls.



Notes - Lift Clearances

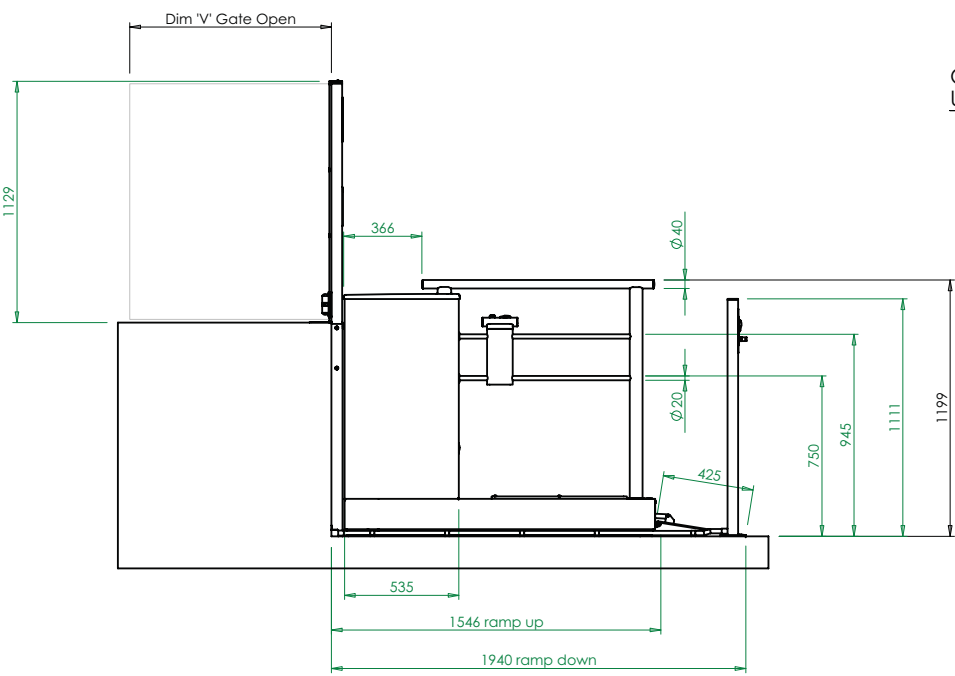
Please note that it is not recommended the LR is fitted any closer than 70mm to any continuous surface.

This is in compliance with BS 6440: 2011.

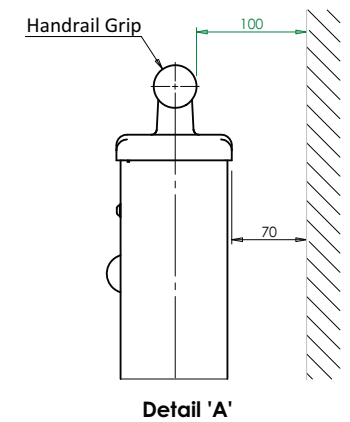
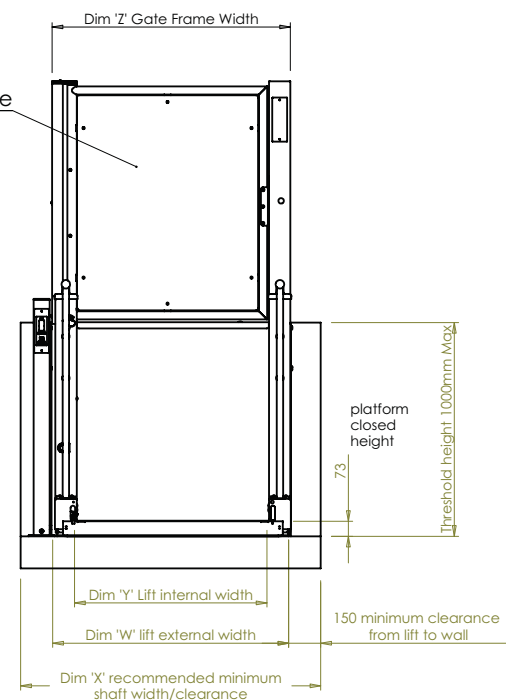
See Handrail Detail 'A' Below

Side panel (full infills) are available, these can overcome certain hazards.
e.g. Dwarf walls at the ground floor, which are below 1200mm high.

Each site presents different risks, these must be assessed and addressed accordingly.



Optional Extra Upper level gate



Alteration	Initials	Date	Issue
CLEARANCE DETAILS UPDATED TO REFLECT BS 6440: 2011 ECO 1443	HTHP	23/05/12	E



t. 0845 2707584
f. 0845 2707583
e.sales@evolifts.co.uk
www.evolifts.co.uk

All dimensions are in mm unless otherwise stated.
TOLERANCES unless otherwise stated:
Decimal Places:
X = ±1
X.X = ±0.25
X.XX = ±0.13
ANGULAR: ±0.5°
Thread ISO Coarse Class 6
Hole sizes = H11

DRAWN BY: WP
DATE: 22/03/2011
MATERIAL: N/A
FINISH: N/A
Weight: N/A
SCALE: 1:25
Sheet Size A3

TITLE:
EVO 300
SPECIFICATION
WITH GATE OPTION

DWG NO:
LR00 7000