



Aritco 9000 Plattform Lift



Aritco 9000 - our platform lift with cabin and automatic run

Aritco 9000 is our cabin lift for the accessibility market. The lift is designed to meet all requirement for quality, safety and service. It is a perfect fit for tough and demanding environments such as schools, shops and residential buildings.

Several advantages offered by Aritco 9000:

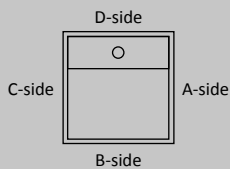
- Design, sizes and options tailored to public environments
- 95% recyclable materials
- 'A' rated energy consumption according to VDI4707
- Patented screw/nut technology (no oil that can leak)
- The lowest maintenance and operating costs on the market
- Cabin control: Automatic "one-touch"

[Download Drawings](#)

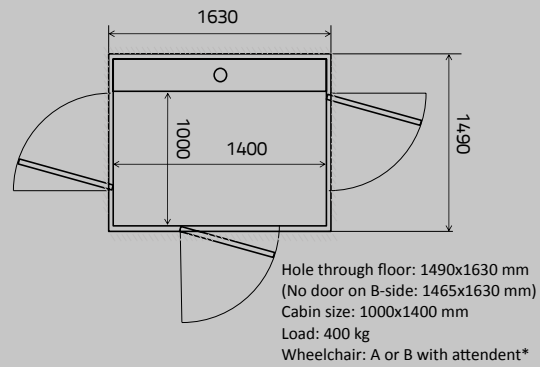
[Visit Gallery](#)

[Get Quote](#)

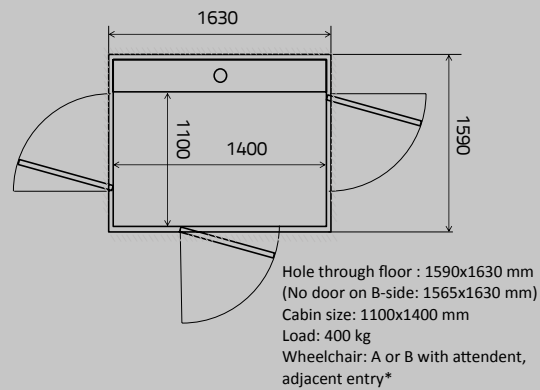
Aritco 9000 Platform Lift



1000 x 1400



1100 x 1400



Wheelchair Type A and B according to EN 12183/EN 12184

* National guidelines may apply

[Download Drawings](#)

[Visit Gallery](#)

Dimensions

Cabin width 1000-1100 mm
Cabin length 1400 mm
Travel height 2150¹⁾-13000 mm

Hole through floor width 1465-1590 mm
Hole through floor length 1630 mm
Top height (min) 2400 mm

Landingdoors:

Height of door opening 1800¹⁾, 1900¹⁾, 2000 mm
Width of door opening 900 mm

¹⁾ For opposite entry, 2300 mm when doors on same side.

¹⁾ Height of door opening for cabin door is always 2000 mm.

Drive system: Patented screw/nut system

Rated speed: max 0.15m/s

Cabin control: Automatic "one-touch"

Landing control: One-touch call

Technical compliance: European Machinery Directive 2006/42/EC

Rated load: 400 kg / 5 persons

Number of stops: max 6

Pit: 75 mm (no pit is required when there is a ramp)

Environment: Indoors

Power supply: 3-phase 400V 50Hz/5.2A/16A slow

Emergency lowering: Battery- powered

Control voltage: 24V

Motor: 3kW

For more information, please, refer to our product catalogue or visit our website.

Due to the continuous product development at the company, the information may change without prior notice.



EVO Lifts Ltd
 International House, Southampton International Business Park
 George Curl Way, Southampton SO18 2RZ.

Telephone: 0203 195 3958
 Email: sales@evolifts.co.uk

[Get Quote](#)